

**LOCHLIN
COPPER
SLIPPER TUB**

Cat. No.
COTS7H72



L: 71 1/2"
W: 32 1/2"
H: 29" and 23" from floor

Rim: 3" W
Overflow hole: 1 1/2"
Overflow: 20" from floor
Water depth: 16 1/2" to overflow

The following is recommended for COTS7H67 tubs with deck holes:

- Rim mounted faucet: **Part# 4601**
- Straight bath supplies: **Part# 5577**
- Leg tub drain: **Part# 5599**

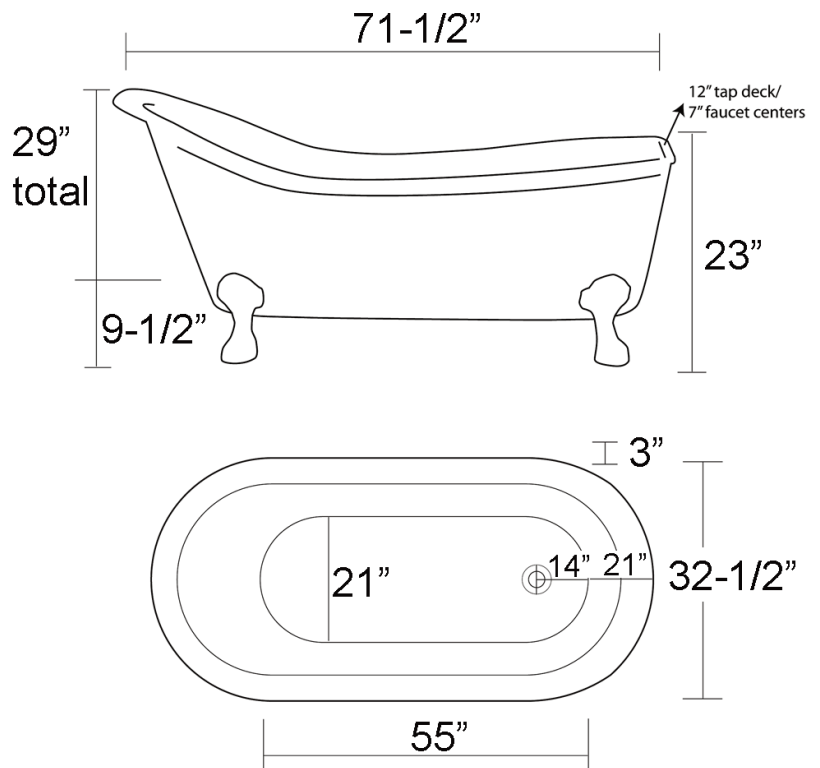
Gallon Capacity: 82
Shipping Weight: 325 lbs.
Empty Weight: 100 lbs.
Filled Weight: 785 lbs.

Features:

- ▶ Made of 16 gauge copper
(Copper is a living finish and will patina over time)
- ▶ Smooth antique copper inside and out
- ▶ 7" centers on tub deck
- ▶ Hand polished
- ▶ Slipper
- ▶ Includes solid copper claw feet

Tub Finishes:

SAC Smooth Antique Copper



Dimensions and specifications subject to change without notice.